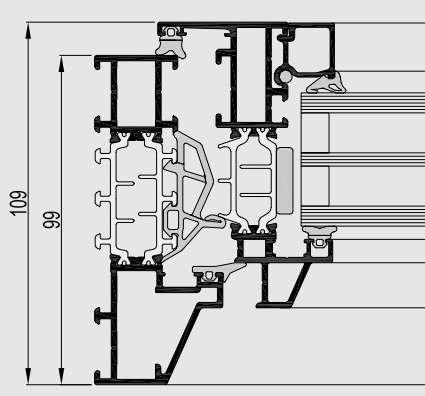
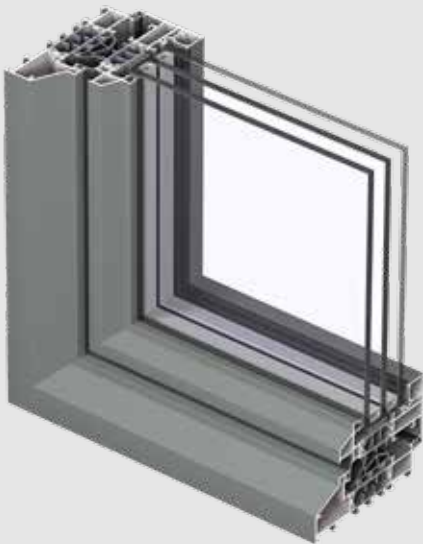




SlimLine 38

Light, Elegance and Comfort

R
REYNAERS
aluminium



SlimLine 38 is a highly insulated system inward and outward opening windows and doors, which combines elegance and comfort, with a unique design. This special slender steel look is the perfect solution for modern architecture and renovation of steel-framed windows, respecting the original design but offering a thermally improved solution.

The SL 38 system is available in 3 different minimalistic design variants, Classic, Ferro and Cubic, to perfectly match the architectural aspect of the building. The windows and doors can be provided with double and triple glazing without losing the ultra-slim look.

In combination with its superior insulation capabilities, the system provides the perfect harmony between durable material, clean design and demanding architectural challenges.



SLIMLINE 38



TECHNICAL CHARACTERISTICS

Design variants		CLASSIC	CUBIC	FERRO
Min. visible width inward opening window	Frame	33.5 mm	33.5 mm	33.5 mm
	Vent	23 mm	22 mm	21.5 mm
Min. visible width outward opening window	Frame	29 mm	-	18.5 mm
	Vent	60.5 mm	-	60.5 mm
Min. visible width inward opening window-door	Frame	33.5 mm	33.5 mm	59.5 mm
	Vent	52.5 mm	52.5 mm	52.5 mm
Min. visible width outward opening window-door	Frame	29 mm	-	18.5 mm
	Vent	82 mm	-	82 mm
Min. visible width T-profile		48 mm	48 mm	48 mm
Overall system depth window	Frame	99 mm	76 mm	76 mm
	Vent	86 mm	75 mm	72 mm
Rebate height		13.5 mm	13.5 mm	13.5 mm
Glass thickness		up to 55 mm	up to 55 mm	up to 55 mm
Glazing method		dry glazing with EPDM or neutral silicones		
Thermal insulation		omega-shaped fibreglass reinforced polyamide strips (frame 40 mm - vent 32 mm)		
High Insulation variant (HI)		available	available	available

PERFORMANCES

ENERGY													
	Thermal Insulation ⁽¹⁾ EN ISO 10077-2	Uf-value down to 1.7 W/m ² K depending on the frame/vent combination and the glass thickness. Uw of less than 1.4 W/m ² K for a standard window section ⁽²⁾											
COMFORT													
	Acoustic performance ⁽³⁾ EN ISO 140-3; EN ISO 717-1	$R_{w}(C;C_{tr}) = 38 (-1; -4) \text{ dB} / 45 (-1; -5) \text{ dB}$, depending on glazing type											
	Air tightness, max. test pressure ⁽⁴⁾ EN 1026; EN 12207	1 (150 Pa)		2 (300 Pa)		3 (600 Pa)		4 (600 Pa)					
	Water tightness ⁽⁵⁾ EN 1027; EN 12208	1A (0 Pa)	2A (50 Pa)	3A (100 Pa)	4A (150 Pa)	5A (200 Pa)	6A (250 Pa)	7A (300 Pa)	8A (450 Pa)	9A (600 Pa)	E (1200 Pa)		
	Wind load resistance, max. test pressure ⁽⁶⁾ EN 12211; EN 12210	1 (400 Pa)		2 (800 Pa)		3 (1200 Pa)		4 (1600 Pa)		5 (2000 Pa)		Exxx (> 2000 Pa)	
	Wind load resistance to frame deflection ⁽⁶⁾ EN 12211; EN 12210	A (≤ 1/150)				B (≤ 1/200)				C (≤ 1/300)			
SAFETY													
	Burglar resistance ⁽⁷⁾ EN 1628-EN 1630; EN 1627	RC1				RC2				RC3			

This table shows possible classes and values of performances. The values indicated in red are the ones relevant to this system.

- (1) The Uf-value measures the heat flow. The lower the Uf-value, the better the thermal insulation of the frame.
- (2) Window dimension of 1.23m x 1.48m, with glass of 1.1 W/m²K.
- (3) The sound reduction index (Rw) measures the capacity of the sound reduction performance of the frame.
- (4) The air tightness test measures the volume of air that would pass through a closed window at a certain air pressure.
- (5) The water tightness testing involves applying a uniform water spray at increasing air pressure until water penetrates the window.
- (6) The wind load resistance is a measure of the profile's structural strength and is tested by applying increasing levels of air pressure to simulate the wind force. There are up to five levels of wind resistance (1 to 5) and three deflection classes (A,B,C). The higher the number, the better the performance.
- (7) The burglar resistance is tested by static and dynamic loads, as well as by simulated attempts to break in using specified tools. This variant requires specific burglar resistance accessories.



SLIMLINE 38



TOGETHER
FOR BETTER

Light

Today's trends in architecture focus mainly on light and blurring the lines between inside and outside. The slender profiles of the SlimLine 38 allow for an abundance of natural light and provide a nearly uninterrupted panoramic view.

Despite the unique slim visible lines, this system is very sturdy and allows for the creation of large floor to ceiling elements that provide a sense of space and maximum use of natural light.



Elegance

Elegance is key with SlimLine 38. Both for the renovation of buildings with industrial designs as for stylish conservatories with the retro-look, the possibility to create a grid pattern makes SlimLine 38 the perfect fit.

The minimalistic frame is reinforced by an invisible drainage system, and hidden hinges further add to the system's elegant design. The SlimLine 38 system provides the perfect harmony between durable material, timeless design and demanding architectural challenges.



Design

Three unique design variants (Classic, Cubic and Ferro) make Slim Line 38 suitable for both renovations as for contemporary design and provide a stylish and minimalistic look.



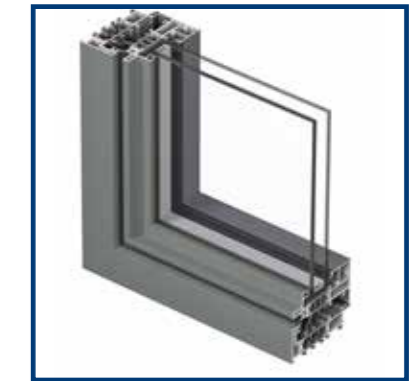
Classic

The Classic design has a traditional steel look with slim visible lines and inclined surfaces. This pronounced design makes it ideal for the renovation or miming of steel-framed windows, while respecting the original design.



Ferro

The SlimLine Ferro variant is characterised by very sharp lines, expressing a strong, yet elegant design. Its minimalistic appearance is ideal for contemporary architecture with character.



Cubic

The typical straight side lines of the Cubic design strengthen the minimalistic look of your windows, answering to the design statement: less is more.





Comfort

SlimLine 38 assures maximal user comfort thanks to a highly insulated 3-chamber system with ultra-slim profiles for increased thermal characteristics. The solution is available in fixed, turn, and turn-tilt variations, and is suitable for both double and triple glazing without losing the minimalistic look.

This system also offers excellent weather performance in terms of air tightness and water tightness. Safety is guaranteed thanks to certified burglary resistance class RC2.



SLIMLINE 38

**TOGETHER
FOR BETTER**

REYNAERS ALUMINIUM NV/SA

Oude Liersebaan 266
B-2570 Duffel
info@reynaers.com
t +32 15 30 85 00
www.reynaers.com



MASTERLINE

R
REYNAERS
aluminium

TOGETHER
FOR BETTER

Design made to measure

The unique MasterLine concept offers 4 design variants, each with their own distinct look and feel, which make MasterLine suitable for any architectural style. Moreover, MasterLine offers new opening options for vents of different sizes, such as insulated panel doors and single and double balcony doors with minimal thresholds for both inward and outward opening elements.



Energy Efficiency made to measure

MasterLine features different levels of insulation, offering solutions for high insulated, low energy and even passive houses. These different levels of insulation are achieved by the integration of new and clever materials.

For the High Insulation+ variant, innovative insulation bars are incorporated, which use a low-emission foil and thus improve the insulation value by reflecting and retaining heat.

... even certified for Passive Houses

MasterLine 8 panel doors and MasterLine 10 windows are certified by the reputable Passive House Institute.

The newly achieved certificates add further credibility to Reynaers' sound reputation as a developer of sustainable aluminium systems for energy efficient building. These achievements should not be seen in insulation, but rather as a continuation along the route towards increasingly sustainable aluminium solutions for the European building industry.



**MASTERLINE 8
STANDARD**



**MASTERLINE 8
HI**



**MASTERLINE 8
HI+**



**MASTERLINE 10
HI+**



Comfort made to measure

The overall concept and the increased overlap of the central gasket offer a guaranteed performance and ensure excellent air-, wind- and water tightness.

Next to these performances, MasterLine is perfectly suited to create large vents, using narrow yet strong profiles. As a result, the window system allows for plenty of daylight, thereby meeting the latest architectural trends.



MASTERLINE VENTILATION VENT

Optimal flow of fresh air is possible through the use of the unique solution for ventilation vents. These vents are limited in width to offer a breath of fresh air while ensuring full safety. This solution is optimised for easy installation and aesthetics as the end pieces are adjustable for optimal fit and paintable to match the color of the profiles. The possibility to use invisible hinges adds further to the aesthetics.

The solution delivers both excellent water tightness and high insulation.



MASTERLINE

**TOGETHER
FOR BETTER**

REYNAERS ALUMINIUM NV/SA

Oude Liersebaan 266
B-2570 Duffel
info@reynaers.com
t +32 15 30 85 00
f +32 15 30 86 00
www.reynaers.com